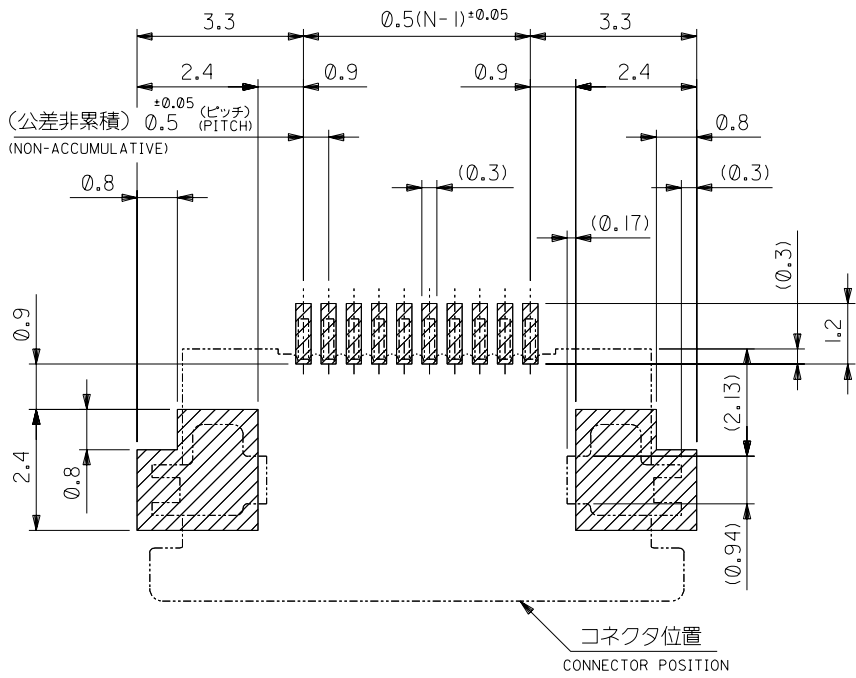


30.5	29.3	25.65	24.5	54104 - 5039	50
28.5	27.3	23.65	22.5	54104 - 4639	46
28.0	26.8	23.15	22.0	54104 - 4539	45
27.0	25.8	22.15	21.0	54104 - 4339	43
25.5	24.3	20.65	19.5	54104 - 4039	40
24.5	23.3	19.65	18.5	54104 - 3839	38
23.5	22.3	18.65	17.5	54104 - 3639	36
23.0	21.8	18.15	17.0	54104 - 3539	35
22.5	21.3	17.65	16.5	54104 - 3439	34
22.0	20.8	17.15	16.0	54104 - 3339	33
21.5	20.3	16.65	15.5	54104 - 3239	32
20.5	19.3	15.65	14.5	54104 - 3039	30
D	C	B	A	MATERIAL NO.	CIRCUIT

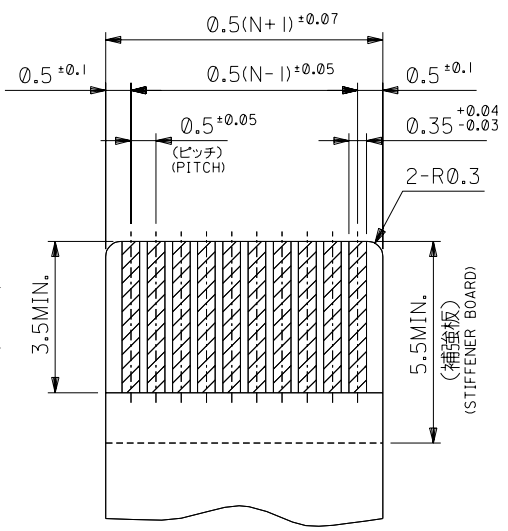
EC NO. DRAWN: CHK'g: APPR:	EC NO. DRAWN: CHK'g: APPR:	EC NO. DRAWN: CHK'g: APPR:	EC NO. DRAWN: CHK'g: APPR:	EC NO. DRAWN: CHK'g: APPR:	EC NO. DRAWN: CHK'g: APPR:
RELEASED '04/01/22 EC NO. J2004-2032 DRWN: Y.SAKIYAMA CHK'g: M.SASAO APPR: M.SASAO					
MATERIAL DESCRIPTION SHEET 2 OF 2 参照 SEE SHEET 2 OF 2					
FINISH 仕上げ //					
WIRE RANGE 適用層被覆範囲 //					
INS. RANGE 被覆外径 //					

GENERAL TOLERANCES: (UNLESS SPECIFIED) 一般公差	SCALE	DESIGN UNITS	THIRD ANGLE PROJECTION	SHT	REV
10 UNDER 未満 ±0.2	---	<input checked="" type="checkbox"/> mm <input type="checkbox"/> INCH	<input checked="" type="checkbox"/> mm <input type="checkbox"/> INCH		
10 OVER 30 UNDER 未満 ±0.25					
30 OVER 以上 ±0.3					
ANGLE 角度 ±3°					

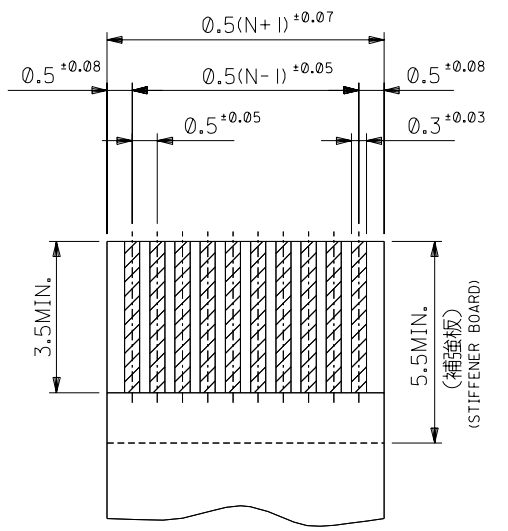
DRAWN BY & DATE Y.SAKIYAMA '04/01/22		TITLE: 0.5 FPC Conn Zif Hsg Assy for SMT RA Upr Cont -LEAD FREE-	
CHECKED BY & DATE M.SASAO '04/01/22		MATERIAL NO. 54104-**39	
APPROVED BY & DATE M.SASAO '04/01/22		DRAWING NO. SD-54104-071	
CAD FILENAME SD-54104-071.S01		SHEET NO. 1 OF 2	
MOLEX INCORPORATED THIS DRAWING CONTAINS INFORMATION THAT IS PROPRIETARY TO MOLEX INCORPORATED AND SHOULD NOT BE USED WITHOUT WRITTEN PERMISSION.			
EN-02J(097) MXJ-54			



参考基板レイアウト  
RECOMMENDED P.C.BOARD  
PATTERN DIMENSION (REF.)  
(マウント面)  
(MOUNTING SIDE)



適合FPC推奨寸法  
APPLICABLE FPC  
RECOMMENDED DIMENSION  
(仕上がり厚さ: 0.3±0.03)  
(THICKNESS: 0.3±0.03)



適合FPC推奨寸法  
APPLICABLE FPC  
RECOMMENDED DIMENSION  
(仕上がり厚さ: 0.3±0.03)  
(THICKNESS: 0.3±0.03)

注記 NOTES

I. 使用材料 MATERIAL

- ハウジング : 46ナイロン, UL94V-0 46NYLON
- アクチュエータ : PPS, UL94V-0
- ターミナル : リン青銅, ニッケル下地 錫ピスマスメッキ (t=0.2) PHOS-BRONZE, TIN-BISMUTH OVER NICKEL PLATING. (t=0.2)
- 金具 : リン青銅, ニッケル下地 錫メッキ (t=0.2) PHOS-BRONZE, TIN OVER NICKEL PLATING. (t=0.2)

- エンボステープ梱包時は、アクチュエータがロックした状態とする。  
IN THE PACKAGE, ACTUATOR OF PART NO.54104-\*\*39 SHOULD BE LOCKED.
- △ソルダータール半田付け面のスレ量、及び金具半田付け面のスレ量は、基準面 H に対し上方向 0.1 MAX, 下方向 0.15 MAX. とし、相互のバラツキ量は、0.1 MAX. とする。  
MISALIGNMENT OF SOLDER TAILS AND FITTING NAILS FROM UPPER DIRECTION: 0.1 MAX., LOWER DIRECTION: 0.15 MAX. OFFSET BETWEEN UPPER AND LOWER 0.1 MAX. H
- △偶数極に適用。  
APPLY FOR EVEN CIRCUIT.
- △パターンはくり止め用金具  
FITTING NAIL FOR PREVENTION OF PEELING OF P.C.B. PATTERN.
6. 本製品は 54104-\*\*37 の鉛フリー品である。  
THIS PRODUCT IS LEAD FREE OF 54104-\*\*37.

FPC/FFCについて

打抜き方向は導体側から補強板側を推奨いたします。  
導体部については軟銅箔35マイクロメートルまたは50マイクロメートルメッキ厚 3~9マイクロメートル鍍または半田メッキ (電気メッキ)  
RECOMMENDED PUNCHER DIRECTION:  
FROM CONDUCTOR SIDE TO STIFFENER BOARD SIDE.  
RECOMMENDED CONDUCTOR SPEC.:  
THICKNESS OF SOFT COPPER FOIL:  
35 micrometer or 50 micrometer  
TIN OR SOLDER PLATING:  
3~9 micrometer (ELECTRICAL PLATING)

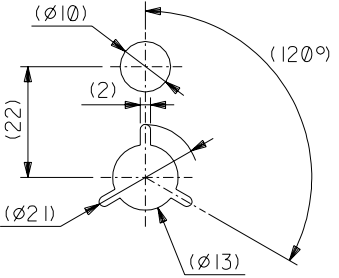
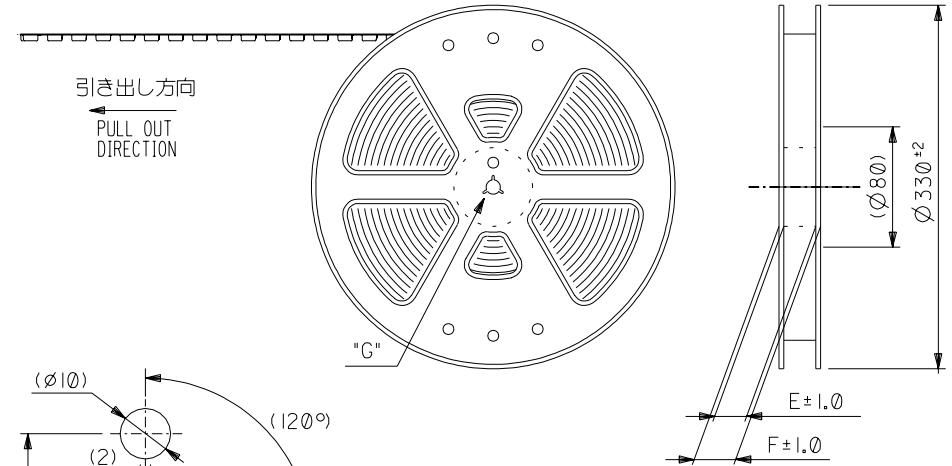
FPCについて

補強フィルム材質はポリイミドを推奨致します。  
接着剤は熱硬化接着剤を推奨致します。  
RECOMMENDED MATERIAL:  
STIFFENER FILM : POLYIMIDE  
BONDING AGENT : THERMOSETTING BONDING AGENT

EC NO. DRAWN: CHK: APPR:	EC NO. DRAWN: CHK: APPR:	EC NO. DRAWN: CHK: APPR:	EC NO. DRAWN: CHK: APPR:	EC NO. DRAWN: CHK: APPR:	RELEASED '04/01/22	MATERIAL 材料	GENERAL TOLERANCES: (UNLESS SPECIFIED) 一般公差	SCALE —//— □mm □INCH	DESIGN UNITS □mm □INCH	THIRD ANGLE PROJECTION	DIMENSIONS:		SHT	REV						
					EC NO. J2004-2032						DESCRIPTION	10 UNDER 未満			±0.2	DRAWN BY & DATE Y.SAKIYAMA '04/01/22	TITLE: 0.5 FPC Conn Zif Hsg Assy for SMT RA Upr Cont -LEAD FREE-	mm INCH	mm ONLY	REVISE ON CAD ONLY
					DRWN: Y.SAKIYAMA CHK: M.SASAO APPR: M.SASAO															
0	REV	INS. RANGE 被覆外径	—//—	30 OVER 以上	±0.3	APPROVED BY & DATE M.SASAO '04/01/22	MOLEX INCORPORATED		MATERIAL NO. 54104-**39	DRAWING NO. SD-54104-071	SHEET NO. 2 OF 2	SIZE B								

DWG. NO. SD-54104-072

8 7 6 5 4 3 2 1

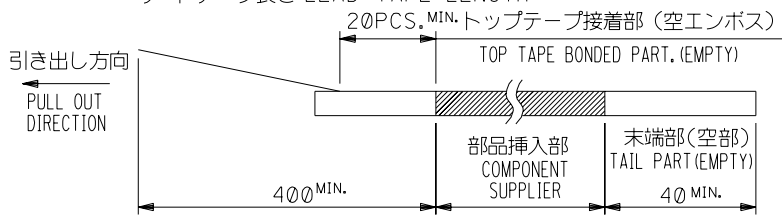


DETAIL "G"

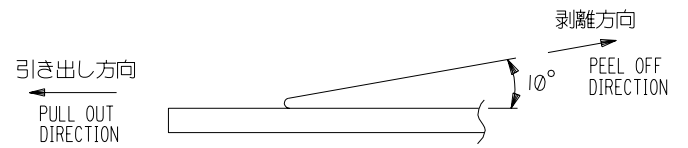
- 材料 (MATERIAL)  
 キャリアテープ (CARRIER TAPE): ポリプロピレン (POLYPROPYLENE)  
 トップテープ (TOP TAPE): PET, PE, PEF  
 リール (REEL): ポリスチレン (PS) <リサイクル材を含む>  
 POLYSTYRENE (PS) <RECYCLE MATERIAL CONTAINED>
- 本製品は 54104-\*\*\*92 の鉛フリー品である。  
 THIS PRODUCT IS LEAD FREE OF 54104-\*\*\*92.

NOTES

- 梱包数量: 1500個/リール  
 NUMBER OF CONNECTORS: 1500PCS/REEL
- リードテープ長さ LEAD TAPE LENGTH



- トップテープの剥離強度: 0.1~1.3N (10~130gf)  
 (剥離方向は下図参照)  
 尚、本規格値は出荷時に適用。(但し、輸送時に剥離が発生しないこと。)  
 PEELING OFF FORCE OF TOP TAPE: 0.1~1.3N (10~130gf)  
 (PEELING DIRECTION AS SHOWN IN FOLLOWING FIG.)  
 THIS REQUIREMENT SHOULD BE APPLIED AT SHIPMENT.  
 PEEL OFF SHOULD NOT BE ALLOWED, DURING TRANSPORTATION.



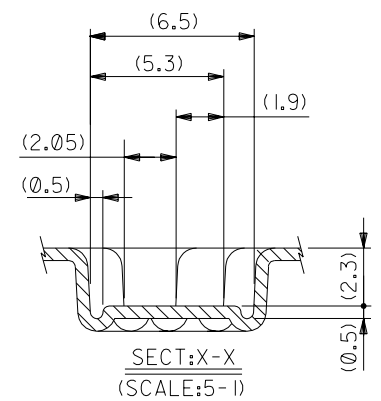
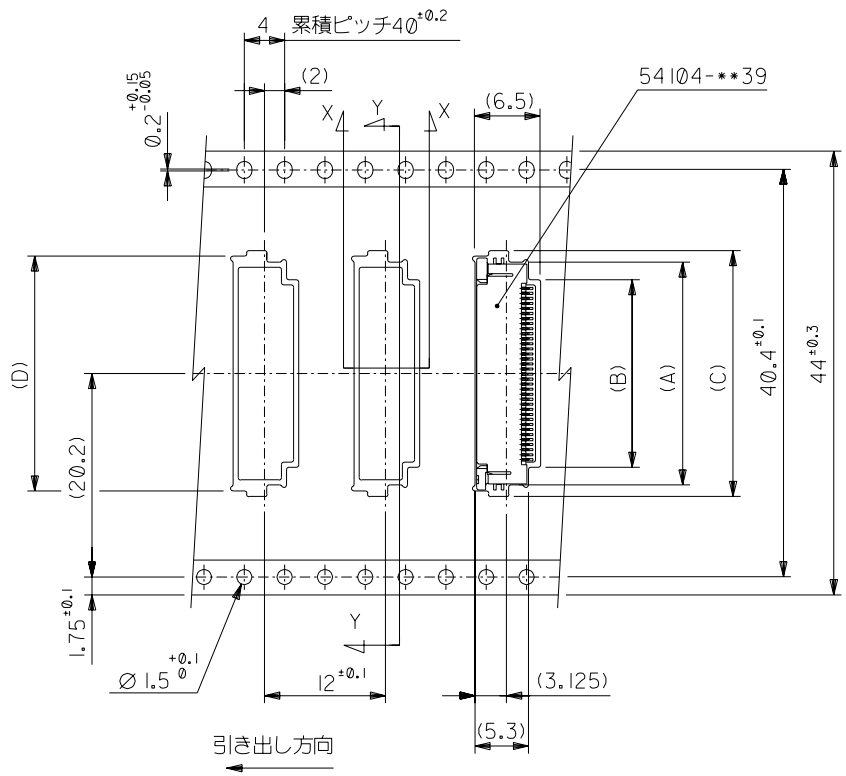
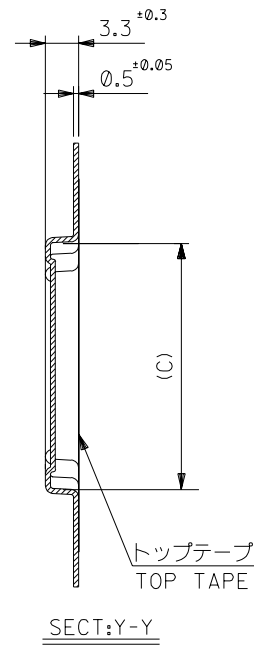
44	49.4	45.4	30.8	31.9	26.1	29.6	54104-5096	50
			28.8	29.9	24.1	27.6	-4696	46
			28.3	29.4	23.6	27.1	-4596	45
			27.3	28.4	22.6	26.1	-4396	43
			25.8	26.9	21.1	24.6	-4096	40
			24.8	25.9	20.1	23.6	-3896	38
			23.8	24.9	19.1	22.6	-3696	36
			23.3	24.4	18.6	22.1	-3596	35
			22.8	23.9	18.1	21.6	-3496	34
			22.3	23.4	17.6	21.1	-3396	33
			21.8	22.9	17.1	20.6	-3296	32
20.8	21.9	16.1	19.6	54104-3096	30			
キャリアテープ幅 CARRIER TAPE WIDTH	F	E	D	C	B	A	MATERIAL NO.	CIRCUIT

DO NOT SCALE DRAWING

EC NO. DRWN: CHK: APPR:	EC NO. DRWN: CHK: APPR:	EC NO. DRWN: CHK: APPR:	REVISED '04/04/21 EC NO. J2004-3918 DRWN: Y.WADA CHK: M.SASAO APPR: M.SASAO	RELEASED '04/01/22 EC NO. J2004-2032 DRWN: Y.SAKIYAMA CHK: M.SASAO APPR: M.SASAO	MATERIAL 材料 注記参照 SEE NOTES	GENERAL TOLERANCES: (UNLESS SPECIFIED) 一般公差	SCALE	MODEL NO. 54104-***96	DESIGN UNITS <input checked="" type="checkbox"/> mm <input type="checkbox"/> INCH	THIRD ANGLE PROJECTION	DIMENSIONS: <input type="checkbox"/> mm <input type="checkbox"/> INCH <input checked="" type="checkbox"/> mm ONLY	SHT	REV
			A	0	FINISH 仕上げ —	10 UNDER 未満 ±0.2	—	Y.SAKIYAMA '04/01/22	TITLE: Embstp Pkg for 0.5 FPC Conn Zif Hsg Assy -LEAD FREE-				
					WIRE RANGE 適用層線範囲 —	10 OVER 以上 30 UNDER 未満 ±0.25		M.SASAO '04/01/22	MOLEX MOLEX INCORPORATED				
					INS. RANGE 被覆外径 —	30 OVER 以上 ±0.3		M.SASAO '04/01/22	CAD FILENAME SD-54104-072.S01	MATERIAL NO. SEE CHART	DRAWING NO. SD-54104-072	SHEET NO. 1 OF 2	
THIS DRAWING CONTAINS INFORMATION THAT IS PROPRIETARY TO MOLEX INCORPORATED AND SHOULD NOT BE USED WITHOUT WRITTEN PERMISSION.												SIZE B	

8 7 6 5 4 3 2 1 EN-02J(097) MXJ-54

DWG. NO.  
SD-54104-072



DO NOT SCALE DRAWING

EC NO. DRWN: CHK: APPR:	EC NO. DRWN: CHK: APPR:	EC NO. DRWN: CHK: APPR:	REVISED '04/04/21 EC NO. J2004-3918 DRWN: Y.WADA CHK: M.SASAO APPR: M.SASAO	RELEASED '04/01/22 EC NO. J2004-2032 DRWN: Y.SAKIYAMA CHK: M.SASAO APPR: M.SASAO
A				

MATERIAL 材料	SHEET 1 OF 2 参照 REFER TO SHEET 1 OF 2	
FINISH 仕上げ	— / —	
WIRE RANGE 適用線径範囲	— / —	
INS. RANGE 被覆外径	— / —	

GENERAL TOLERANCES: (UNLESS SPECIFIED) 一般公差	SCALE	DESIGN UNITS mm □ INCH
10 UNDER 未満	— / —	mm □ INCH
10 OVER 30 UNDER 未満	±0.2	mm □ INCH
30 OVER 以上	±0.25	mm □ INCH
ANGLE 角度	±0.3	mm □ INCH
	±3°	mm □ INCH

MODEL NO. 54104-**-96	DIMENSIONS: mm □ INCH	SHT	REV
THIRD ANGLE PROJECTION	mm □ INCH		REVISE ON CAD ONLY
DRAWN BY & DATE Y.SAKIYAMA '04/01/22	TITLE: Embstp Pkg for 0.5 FPC Conn Zif Hsg Assy -LEAD FREE-		
CHECKED BY & DATE M.SASAO '04/01/22	MOLEX INCORPORATED		
APPROVED BY & DATE M.SASAO '04/01/22	MATERIAL NO. SEE CHART	DRAWING NO. SD-54104-072	SHEET NO. 2 OF 2
CAD FILENAME SD-54104-072.S02	THIS DRAWING CONTAINS INFORMATION THAT IS PROPRIETARY TO MOLEX INCORPORATED AND SHOULD NOT BE USED WITHOUT WRITTEN PERMISSION.		SIZE B